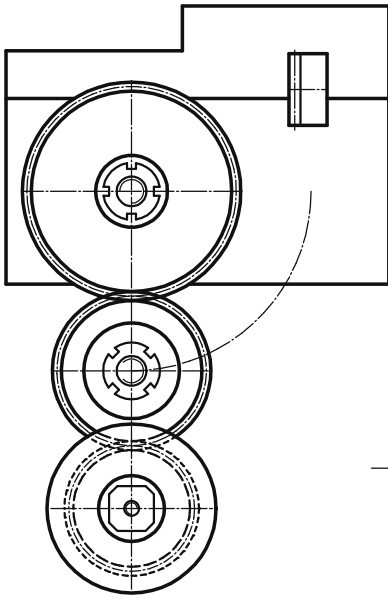
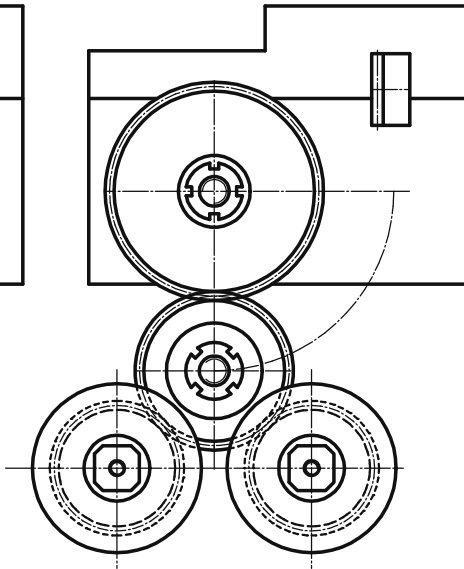


# APPLICATION EXAMPLES

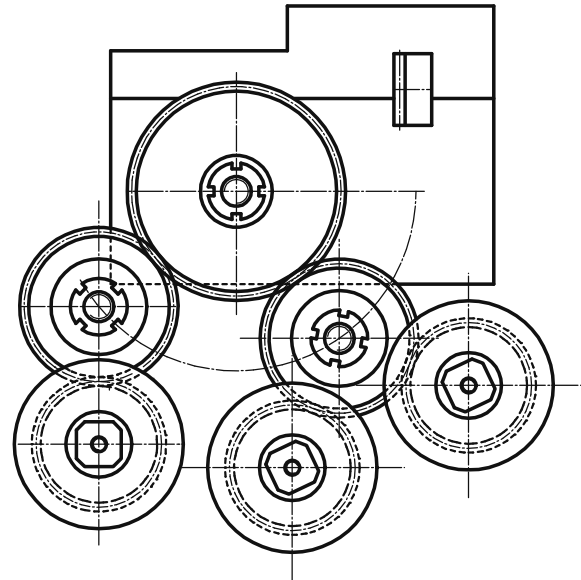
WITH ONE CHUCKING DEVICE



WITH TWO CHUCKING DEVICES



WITH THREE CHUCKING DEVICES



## DRAWING OF PROGRESSIVE DIE WITH THREADING UNIT INCORPORATED

